

## fischer FiAM Intumescent Acoustic Mastic

Substrate: Flexible or Rigid Wall Assemblies  
Type of penetration: Metallic Pipes

APPLICATION



| APPROVALS      |
|----------------|
| ETA 14/0378    |
| UL-EU-00878-A1 |



Up to 2hr



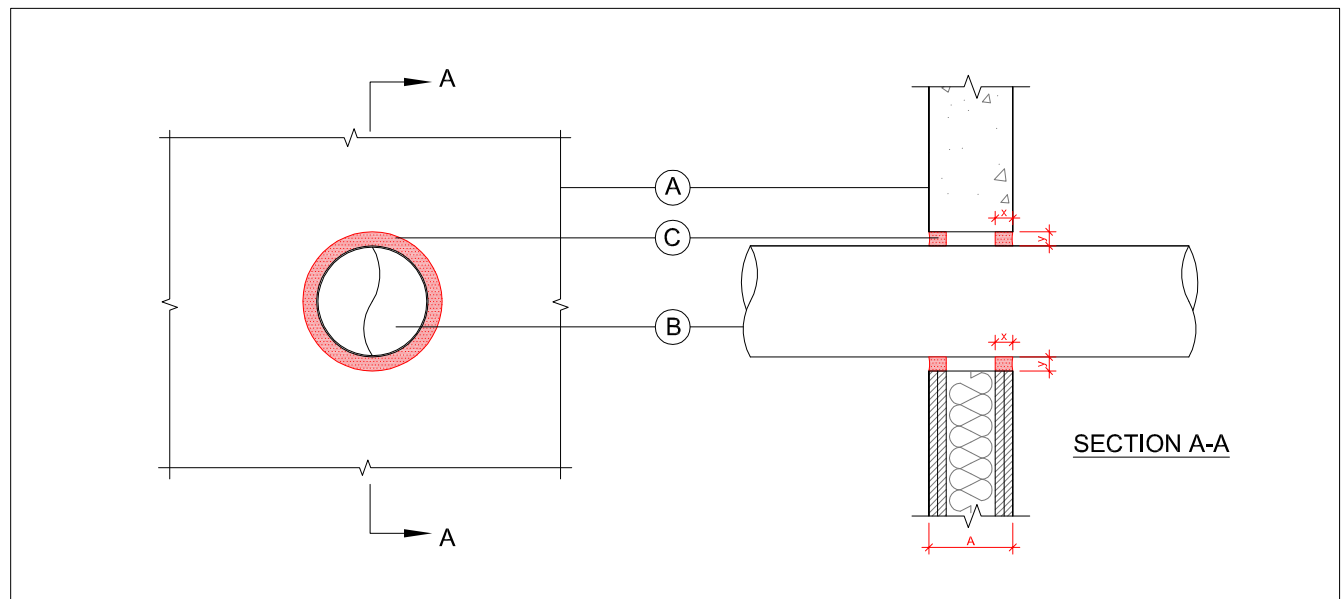
Up to 1.5hr



Rw (C;Ctr)=38(-2;-7)  
(EN 10140-2)



600PA  
(EN 1026:2000)



| fischer FiAM Intumescent Acoustic Sealent Penetration Seals. Min 120mm thick Flexible or Rigid Wall [A] |                 |                   |   |                  |                        |                         |                       |
|---|-----------------|-------------------|---|------------------|------------------------|-------------------------|-----------------------|
| Type of penetration [B]   | Diameter        | Wall thickness    | Seal installed on both sides [x=depth 'y=annulus] [C] | Backing Material | Integrity (in minutes) | Insulation (in minutes) | End Cap Configuration |
| Steel or Copper Pipe  | 15 mm - 40 mm   | 0.8 mm - 7.4 mm   | 10 mm annulus [y]<br>25 mm depth [x]                  | Optional**       | 120                    | 20                      | C/U                   |
|   | 40 mm           | 0.8 mm - 14.2. mm |   |                  | 120                    | 15                      | C/U                   |
|   | 40 mm*          | 0.8 mm - 14.2. mm |   |                  | 120                    | 90                      | C/U                   |
|   | 40 mm - 159 mm  | 1.8 mm - 14.2. mm |   |                  | 120                    |                         | C/U                   |
|   | 40 mm - 159 mm* | 1.8 mm - 14.2. mm |   |                  | 120                    | 20                      | C/U                   |

\* Thermal defence wrap to the unexposed face 300mm long

\*\* Form of backing material which could be used :  
Ceramic Wool, Stone Wool, Glass Wool, Phenolic, PIR, PUR, EPS

The instructions and information within this document have been produced with the greatest possible care. However, any liability of fischerwerke GmbH & Co. KG for any errors in this document and for the consequences of such is excluded. Likewise, any liability of fischerwerke GmbH & Co. KG for direct or consequential damages arising in connection with the use of the stated products is excluded. All applications of the stated products have always to comply with the related approvals and installation instructions as well as applicable regulations of the relevant authorities at site.



fischerwerke GmbH & Co. KG Klaus-Fischer-Straße 1, 72178 Waldachtal Germany  
Phone: (0049) 7443 12-12-0 / Fax: (0049) 7443 12-4222 / E-mail info@fischer.de

180503-CFD-01-ETA-C-1-3

Issue 01

## fischer FiAM Intumescent Acoustic Mastic

Substrate: Flexible or Rigid Wall Assemblies  
Type of penetration: Cable Trays / Cables

APPLICATION



| APPROVALS      |
|----------------|
| ETA 14/0378    |
| UL-EU-00878-A1 |



Up to 2hr



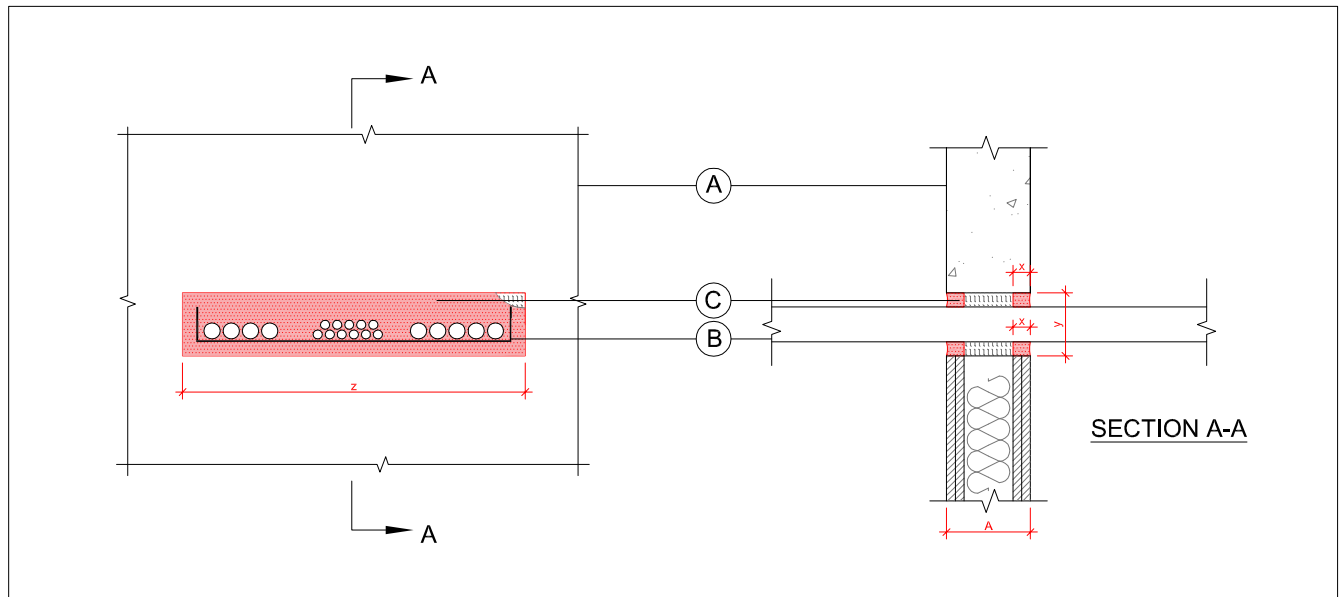
Up to 2hr



Rw (C;Ctr)=38(-2;-7)  
(EN 10140-2)



600PA  
(EN 1026:2000)



| fischer FiAM Intumescent Acoustic Sealent Penetration Seals. Min 120mm thick Flexible or Rigid Wall [A] |                            |                         |  |   |                        |                         |
|---|----------------------------|-------------------------|--|---|------------------------|-------------------------|
| Type of penetration [B]   | Dimension                  | Dimension Opening       | Seal installed on both sides [x=depth 'y=highth 'z=length] [C] | Backing Material                              | Integrity (in minutes) | Insulation (in minutes) |
| Cables or Perforated Cable Tray   | Cables up to 21 mm         | 490mm long x 100mm high | 100 mm highth [y]<br>25 mm depth [x]<br>490 mm lenght [z]      | 70 mm tick, 80kg/m <sup>3</sup><br>Stone Wool | 120                    | 90                      |
|   | Cables Tray 450 mm x 50 mm |                         |  |   | 120                    | 90                      |
|   | Cables up to 21 mm - 50 mm | 200mm long x 100mm high | 10 mm annulus [y]<br>25 mm depth [x]                           | Optional*                                     | 90                     | 60                      |

\* Form of backing material which could be used :  
Ceramic Wool, Stone Wool, Glass Wool, Phenolic, PIR, PUR, EPS

The instructions and information within this document have been produced with the greatest possible care. However, any liability of fischerwerke GmbH & Co. KG for any errors in this document and for the consequences of such is excluded. Likewise, any liability of fischerwerke GmbH & Co. KG for direct or consequential damages arising in connection with the use of the stated products is excluded. All applications of the stated products have always to comply with the related approvals and installation instructions as well as applicable regulations of the relevant authorities at site.



## fischer FiAM Intumescent Acoustic Mastic

Substrate: Flexible or Rigid Wall Assemblies  
Type of penetration: Linear Joint Seal

APPLICATION



APPROVALS

|                |
|----------------|
| ETA 14/0379    |
| UL-EU-00878-A1 |



Up to 4hr



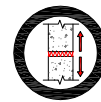
Up to 2hr



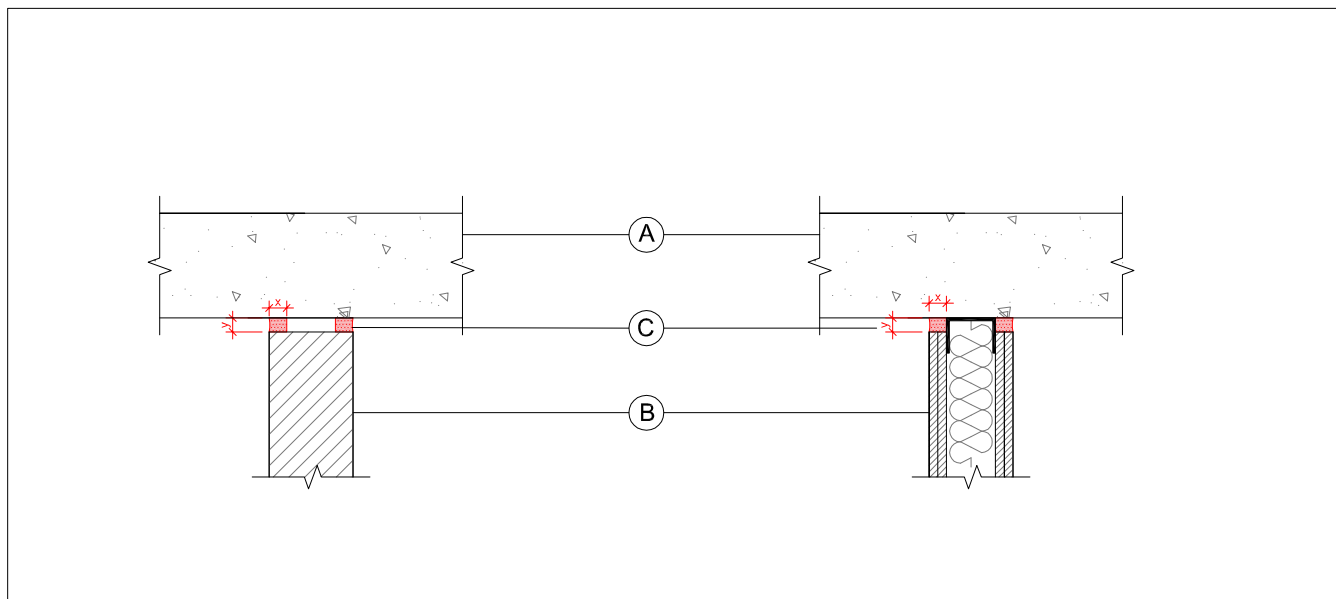
Rw (C;Ctr)=38(-2;-7)  
(EN 10140-2)



600PA  
(EN 1026:2000)



±25%



fischer FiAM Intumescent Acoustic Mastic Joint Seals. Min120mm thick - Sealing of Draywall Head Track-Sealant Flush To Both Faces of the Wall [A]

| Substrate [B]                   | Joint Width (mm) [C] | Depth (mm) [C]        | Backing Material [D] | Integrity (in minutes) | Insulation (in minutes) |
|---------------------------------|----------------------|-----------------------|----------------------|------------------------|-------------------------|
| Gypsum board / Steel head track | ≤ 20 mm [y]          | 25mm [x] (Both Sides) | N/A                  | 120                    | 120                     |

The instructions and information within this document have been produced with the greatest possible care. However, any liability of fischerwerke GmbH & Co. KG for any errors in this document and for the consequences of such is excluded. Likewise, any liability of fischerwerke GmbH & Co. KG for direct or consequential damages arising in connection with the use of the stated products is excluded. All applications of the stated products have always to comply with the related approvals and installation instructions as well as applicable regulations of the relevant authorities at site.



fischerwerke GmbH & Co. KG Klaus-Fischer-Straße 1, 72178 Waldachtal Germany  
Phone: (0049) 7443 12-12-0 / Fax: (0049) 7443 12-4222 / E-mail info@fischer.de

180503-CFD-01-ETA-C-1-1

Issue 01

## fischer FiAM Intumescent Acoustic Mastic

Substrate: Flexible Wall  
Type of penetration: Linear Joint and Gap Seal

APPLICATION



APPROVALS

|                |
|----------------|
| ETA 14/0379    |
| UL-EU-00878-A1 |



Up to 4hr



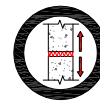
Up to 2hr



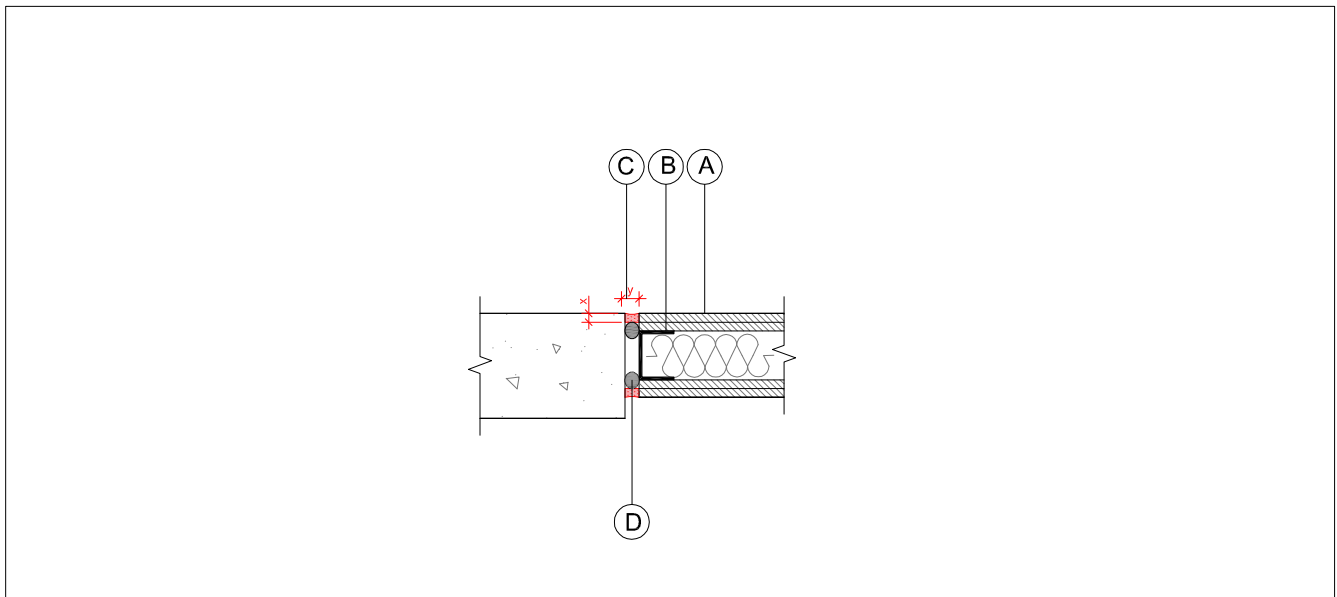
Rw (C;Ctr)=38(-2;-7)  
(EN 10140-2)



600PA  
(EN 1026:2000)



±25%



fischer FiAM Intumescent Acoustic Mastic Linear Joint Seals. Min120mm thick - Flexible or Rigid Wall. Sealant Flush to Both Faces of the Wall [A]

| Substrate [B]                | Joint Width (mm) [C] | Depth (mm) [C]          | Backing Material [D] | Integrity (in minutes) | Insulation (in minutes) |
|------------------------------|----------------------|-------------------------|----------------------|------------------------|-------------------------|
| Gypsum board / concrete wall | ≤ 20 mm [y]          | 12.5mm [x] (Both Sides) | PE backing Rod       | 120                    | 120                     |

The instructions and information within this document have been produced with the greatest possible care. However, any liability of fischerwerke GmbH & Co. KG for any errors in this document and for the consequences of such is excluded. Likewise, any liability of fischerwerke GmbH & Co. KG for direct or consequential damages arising in connection with the use of the stated products is excluded. All applications of the stated products have always to comply with the related approvals and installation instructions as well as applicable regulations of the relevant authorities at site.



## fischer FiAM Intumescent Acoustic Mastic

Substrate: Various (see table)

Type of penetration: Vertical Linear Joint and Gap Seal



Up to 2hr



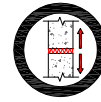
Up to 1hr



Rw (C;Ctr)=38(-2;-7)  
(EN 10140-2)



600PA  
(EN 1026:2000)



±25%

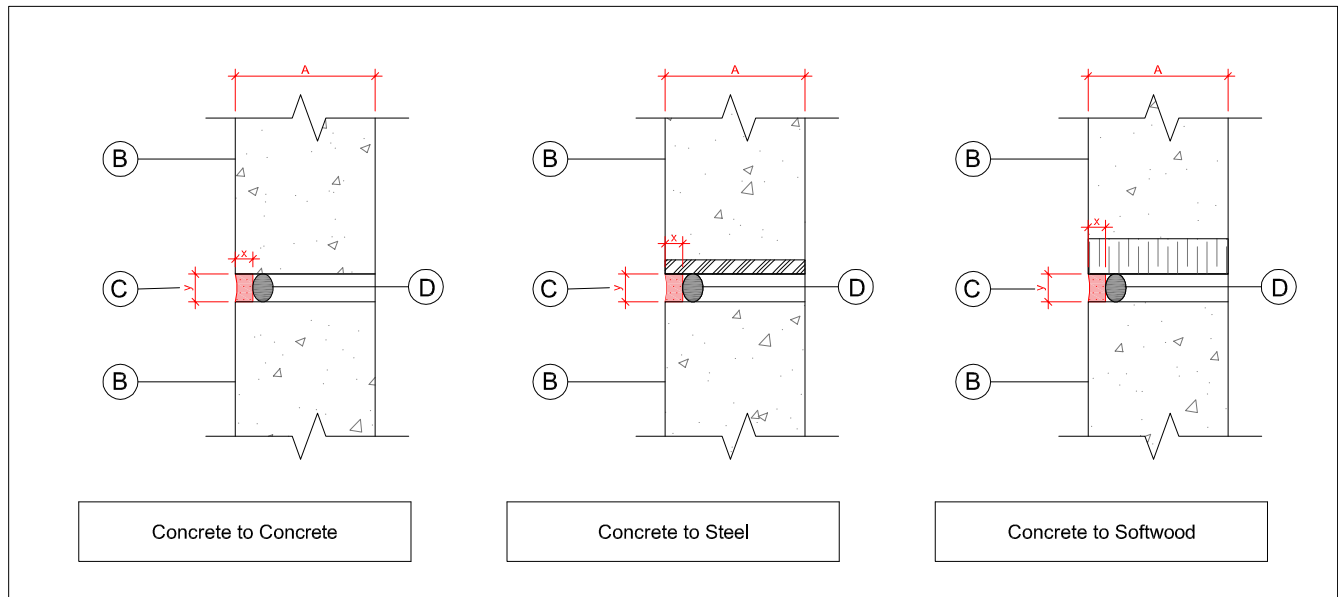
### APPLICATION



### APPROVALS

ETA 14/0379

UL-EU-00878-A1



fischer FiAM Intumescent Acoustic Mastic Joint Seals. Min100mm thick Rigid Wall [A]

| Substrate [B]        | Joint Width (mm) [C] | Depth (mm) [C]         | Backing Material [D] | Integrity (in minutes) | Insulation (in minutes) |
|----------------------|----------------------|------------------------|----------------------|------------------------|-------------------------|
| Concrete to Concrete | ≤ 20 mm [y]          | 10mm [x] (Single Side) | PE backing Rod*      | 120                    | 45                      |
|                      | ≤ 50 mm [y]          | 25mm [x] (Single Side) |                      | 120                    | 60                      |
| Concrete to Steel    | ≤ 20 mm [y]          | 10mm [x] (Single Side) |                      | 120                    | 20                      |
|                      | ≤ 50 mm [y]          | 50mm [x] (Single Side) |                      | 45                     | 30                      |
| Concrete to Softwood | ≤ 20 mm [y]          | 10mm [x] (Single Side) |                      | 30                     | 20                      |
|                      | ≤ 50 mm [y]          | 50mm [x] (Single Side) |                      | 45                     | 45                      |

\* Form of backing material which could be used :  
Ceramic Wool, Stone Wool, Glass Wool, Phenolic, PIR, PUR, EPS

The instructions and information within this document have been produced with the greatest possible care. However, any liability of fischerwerke GmbH & Co. KG for any errors in this document and for the consequences of such is excluded. Likewise, any liability of fischerwerke GmbH & Co. KG for direct or consequential damages arising in connection with the use of the stated products is excluded. All applications of the stated products have always to comply with the related approvals and installation instructions as well as applicable regulations of the relevant authorities at site.



fischerwerke GmbH & Co. KG Klaus-Fischer-Straße 1, 72178 Waldachtal Germany  
Phone: (0049) 7443 12-12-0 / Fax: (0049) 7443 12-4222 / E-mail info@fischer.de

180503-CFD-01-ETA-C-3-2

Issue 01

## fischer FiAM Intumescent Acoustic Mastic

Substrate: Various (see table)

Type of penetration: Horizontal Linear Joint and Gap Seal

### APPLICATION



| APPROVALS      |
|----------------|
| ETA 14/0379    |
| UL-EU-00878-A1 |



Up to 4hr



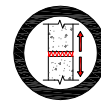
Up to 1.5hr



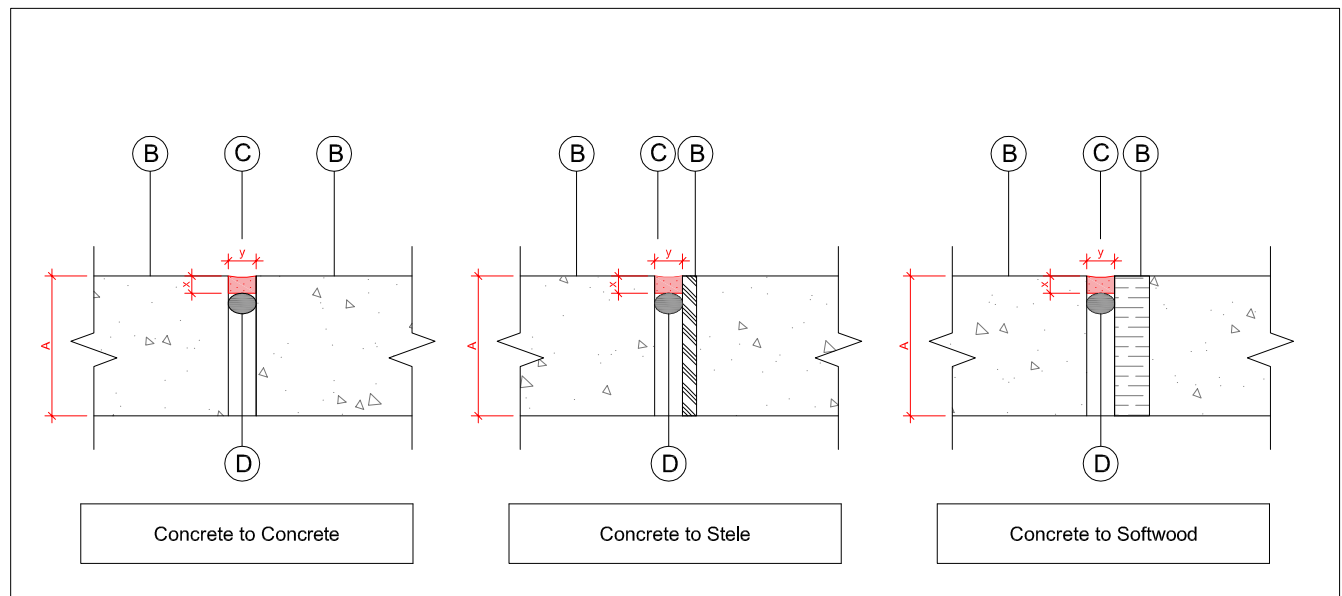
R<sub>w</sub> (C;Ctr)=38(-2;-7)  
(EN 10140-2)



600PA  
(EN 1026:2000)



±25%



| fischer FiAM Intumescent Acoustic Mastic Linear Joint Seals. Min150mm thick Rigid Floor [A] |                      |                     |                      |                        |                         |
|---|----------------------|---------------------|----------------------|------------------------|-------------------------|
| Substrate [B]   | Joint Width (mm) [C] | Depth (mm) [C]      | Backing Material [D] | Integrity (in minutes) | Insulation (in minutes) |
| Concrete to Concrete  | ≤ 20 mm [y]          | 10mm (Single Sides) | PE backing Rod*      | 240                    | 45                      |
|   | ≤ 50 mm [y]          | 25mm (Single Sides) |                      | 240                    | 90                      |
| Concrete to Steel   | ≤ 20 mm [y]          | 10mm (Single Sides) |                      | 120                    | 20                      |
|   | ≤ 50 mm [y]          | 50mm (Single Sides) |                      | 240                    | 90                      |
| Concrete to Softwood  | ≤ 20 mm [y]          | 10mm (Single Sides) |                      | 30                     | 30                      |
|   | ≤ 50 mm [y]          | 50mm (Single Sides) |                      | 45                     | 45                      |

\* Form of backing material which could be used :  
Ceramic Wool, Stone Wool, Glass Wool, Phenolic, PIR, PUR, EPS

The instructions and information within this document have been produced with the greatest possible care. However, any liability of fischerwerke GmbH & Co. KG for any errors in this document and for the consequences of such is excluded. Likewise, any liability of fischerwerke GmbH & Co. KG for direct or consequential damages arising in connection with the use of the stated products is excluded. All applications of the stated products have always to comply with the related approvals and installation instructions as well as applicable regulations of the relevant authorities at site.



fischerwerke GmbH & Co. KG Klaus-Fischer-Straße 1, 72178 Waldachtal Germany  
Phone: (0049) 7443 12-12-0 / Fax: (0049) 7443 12-4222 / E-mail info@fischer.de

180503-CFD-01-ETA-C-4-2

Issue 01